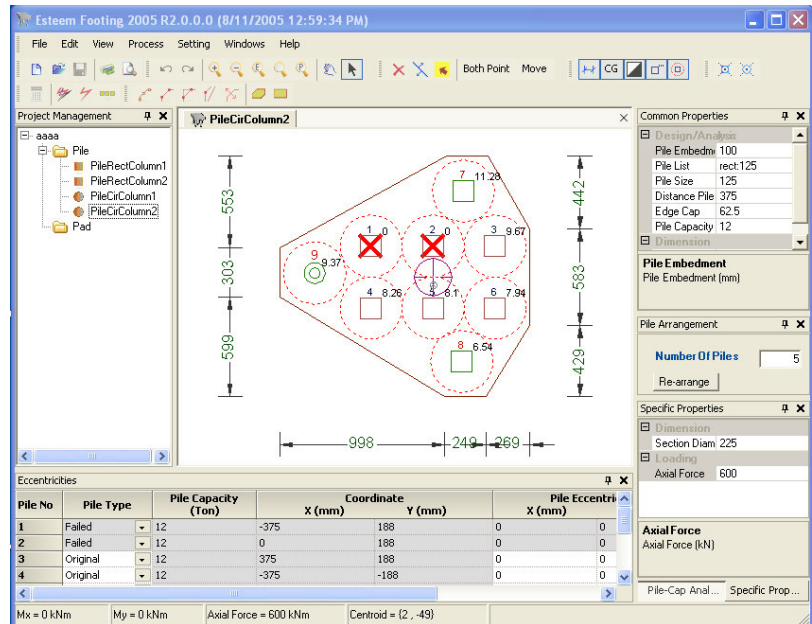


# EsteeM Footing 2007

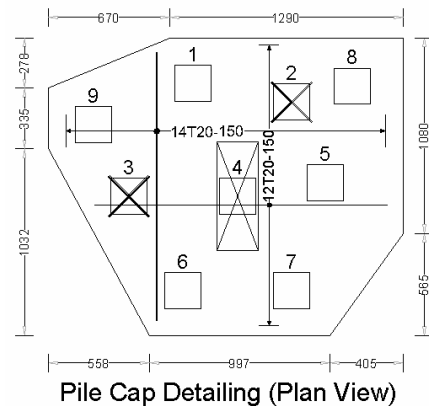
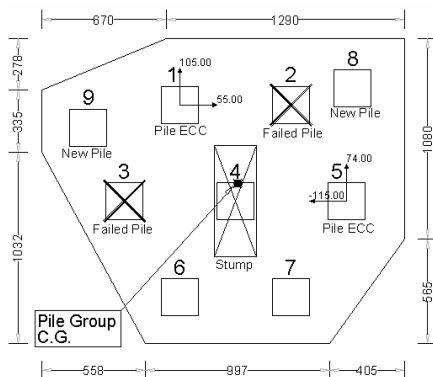
ESTEEM FOOTING 2007

## Features/Capability

1. Design to BS 8110
2. GUI drag & drop new pile
3. Real-time pile stress calculation
4. Instant pile group C.G.
5. Intelligent pile cap boundary dimensioning & editing
6. Pile eccentricities analysis, design & detailing
7. Full plan and section detailing
8. Allow for difference in pile type
9. Up to 300 piles in single pile cap
10. Export to DXF or DWG format

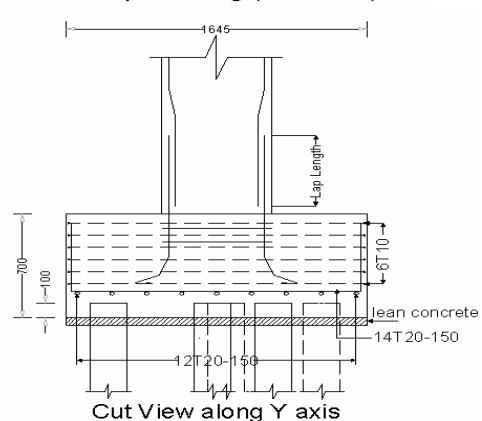
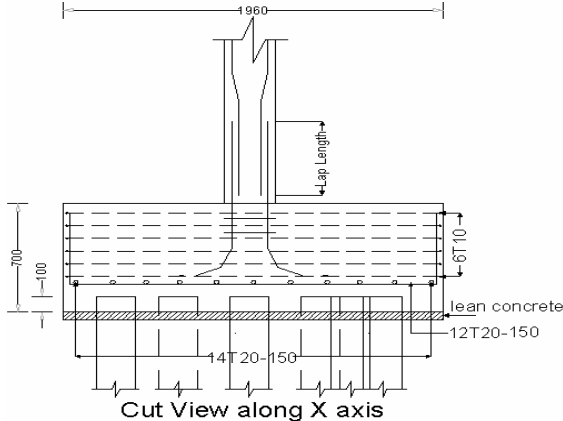


Input



Key Plan Detailing

Section X-X Detailing



Section Y-Y Detailing